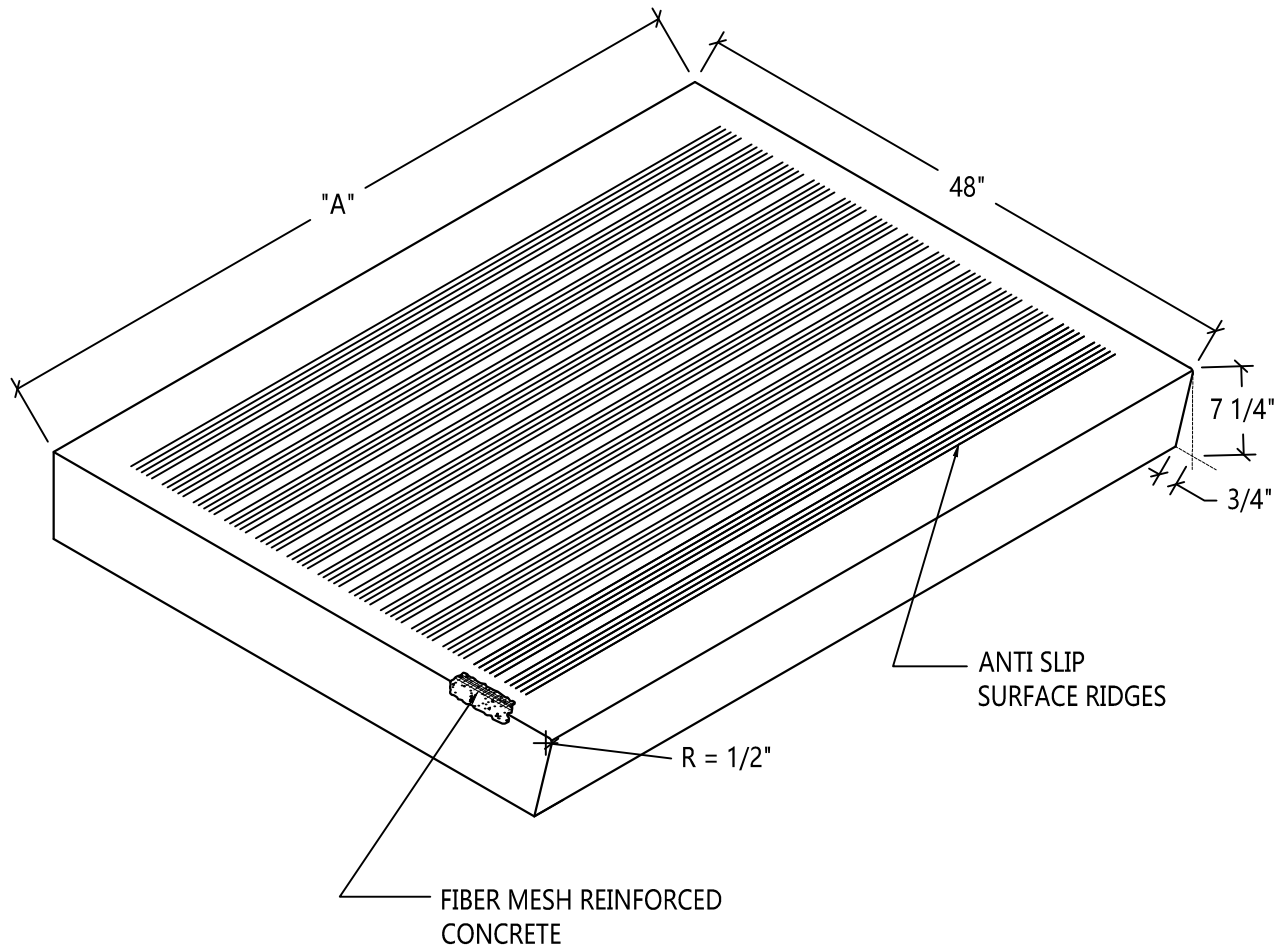


1 RISER PRECAST PLATFORM STEP UNIT

WIDTH "A"	APPROX. WEIGHT
48"	620 LBS
60"	715 LBS
72"	810 LBS
96"	1000 LBS



SPECIFICATIONS:

MINIMUM STRENGTH OF CONCRETE- 4,000 P.S.I. @ 28 DAYS

AIR ENTRAINMENT- 5 ½% ± 1 ½%

¾" REBAR AROUND PERIMETER



Scranton Craftsmen, Inc



930 Dunmore Street

Throop, PA 18512

www.scrantoncraftsmen.com

sales@scrantoncraftsmen.com

Toll Free: 1800-775-1479

Phone: (570) 347-5125

Fax: (570) 489-4212