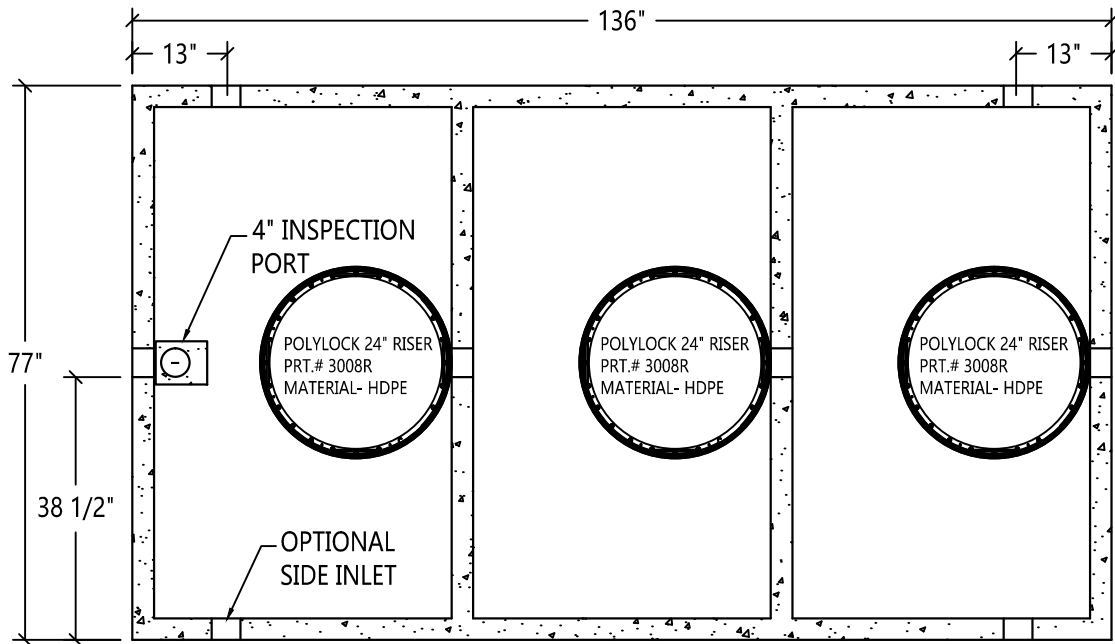
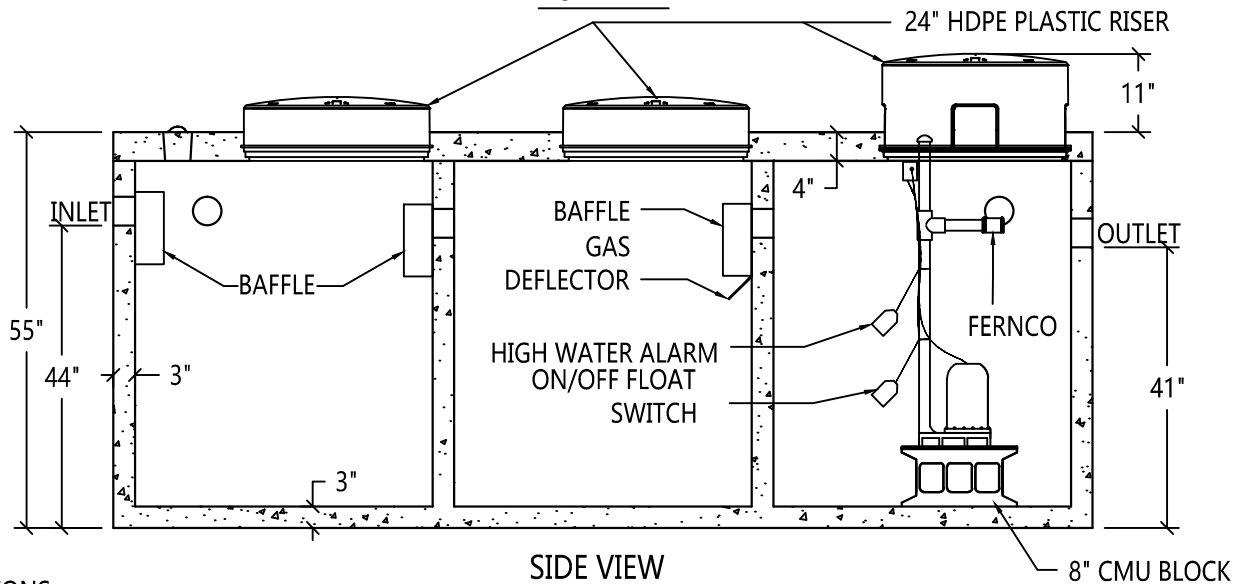


# 1500 GAL. 3 COMP. SEPTIC/DOSING TANK



TOP VIEW



SIDE VIEW

**SPECIFICATIONS:**

MINIMUM STRENGTH OF CONCRETE- 4,000 @ 28 DAYS

AIR ENTRAINMENT- 5 1/2% ± 1 1/2%

STEEL REINFORCEMENT- 6" X 6" - 6 GAUGE WIRE MESH IN SIDES, BOTTOM AND LID

JOINT- SEALED WITH SYNTHETIC RESIN OR EQUIVALENT

APPROXIMATE WEIGHT- 14,000 LBS.



## Scranton Craftsmen, Inc



930 Dunmore Street

Throop, PA 18512

[www.scrantoncraftsmen.com](http://www.scrantoncraftsmen.com)

[sales@scrantoncraftsmen.com](mailto:sales@scrantoncraftsmen.com)

Toll Free: 1800-775-1479

Phone: (570) 347-5125

Fax: (570) 489-4212