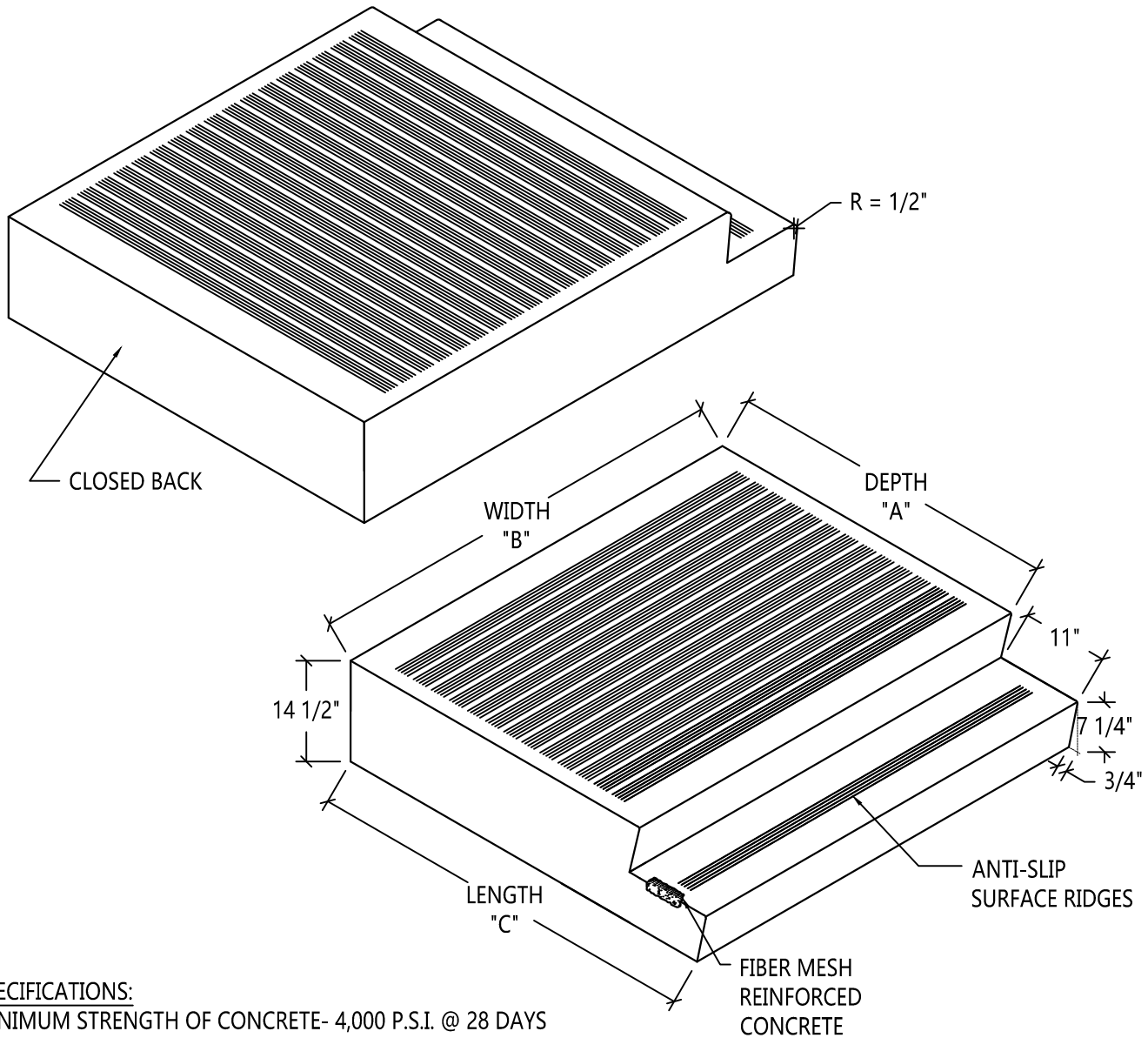


2 RISER PRECAST SIDE ENTRANCE STEP UNIT

DEPTH "A"	WIDTH "B"	LENGTH "C"	APPROX. WEIGHT
36"	36"	47"	840 LBS
48"	48"	59"	970 LBS
60"	48"	71"	1185 LBS



SPECIFICATIONS:
 MINIMUM STRENGTH OF CONCRETE- 4,000 P.S.I. @ 28 DAYS
 AIR ENTRAINMENT- 5 1/2% ± 1 1/2%
 3/8" REBAR AROUND PERIMETER



Scranton Craftsmen, Inc



930 Dunmore Street
 Throop, PA 18512

www.scrantoncraftsmen.com
 sales@scrantoncraftsmen.com

Toll Free: 1800-775-1479

Phone: (570) 347-5125

Fax: (570) 489-4212