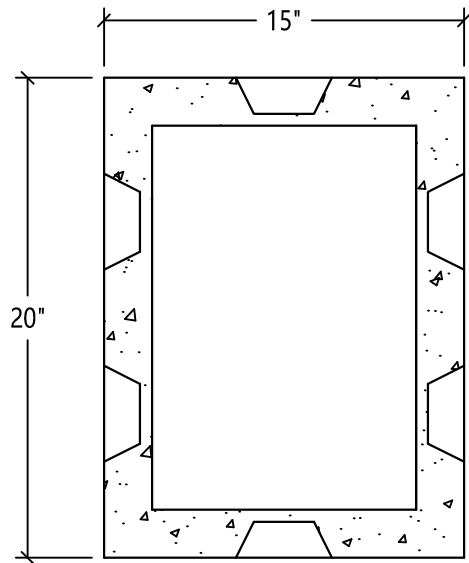
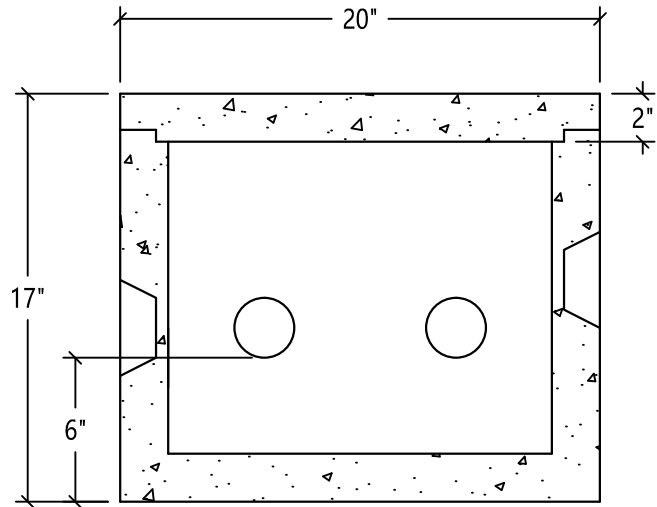


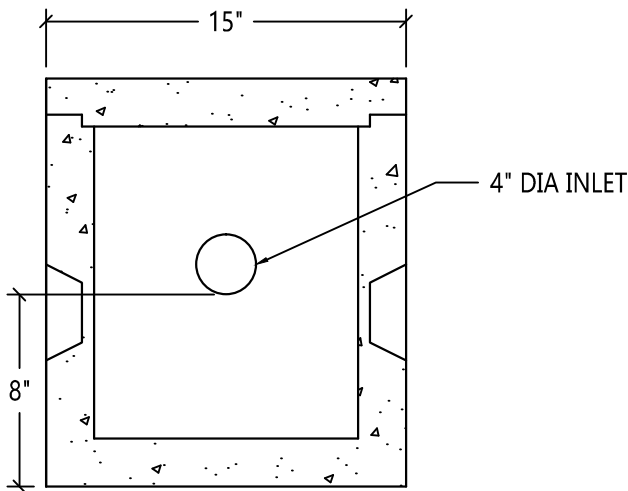
5 OUTLET DISTRIBUTION BOX



TOP VIEW



OUTLET SIDE



INLET SIDE

SPECIFICATIONS:

MINIMUM STRENGTH OF CONCRETE- 4,000 @ 28 DAYS

STEEL REINFORCEMENT- 6" X 6" - 10 GAUGE WIRE MESH IN SIDES AND LID

JOINT- SEALED WITH SYNTHETIC RESIN OR EQUIVALENT



Scranton Craftsmen, Inc



930 Dunmore Street

Throop, PA 18512

www.scrantoncraftsmen.com

sales@scrantoncraftsmen.com

Toll Free: 1800-775-1479

Phone: (570) 347-5125

Fax: (570) 489-4212