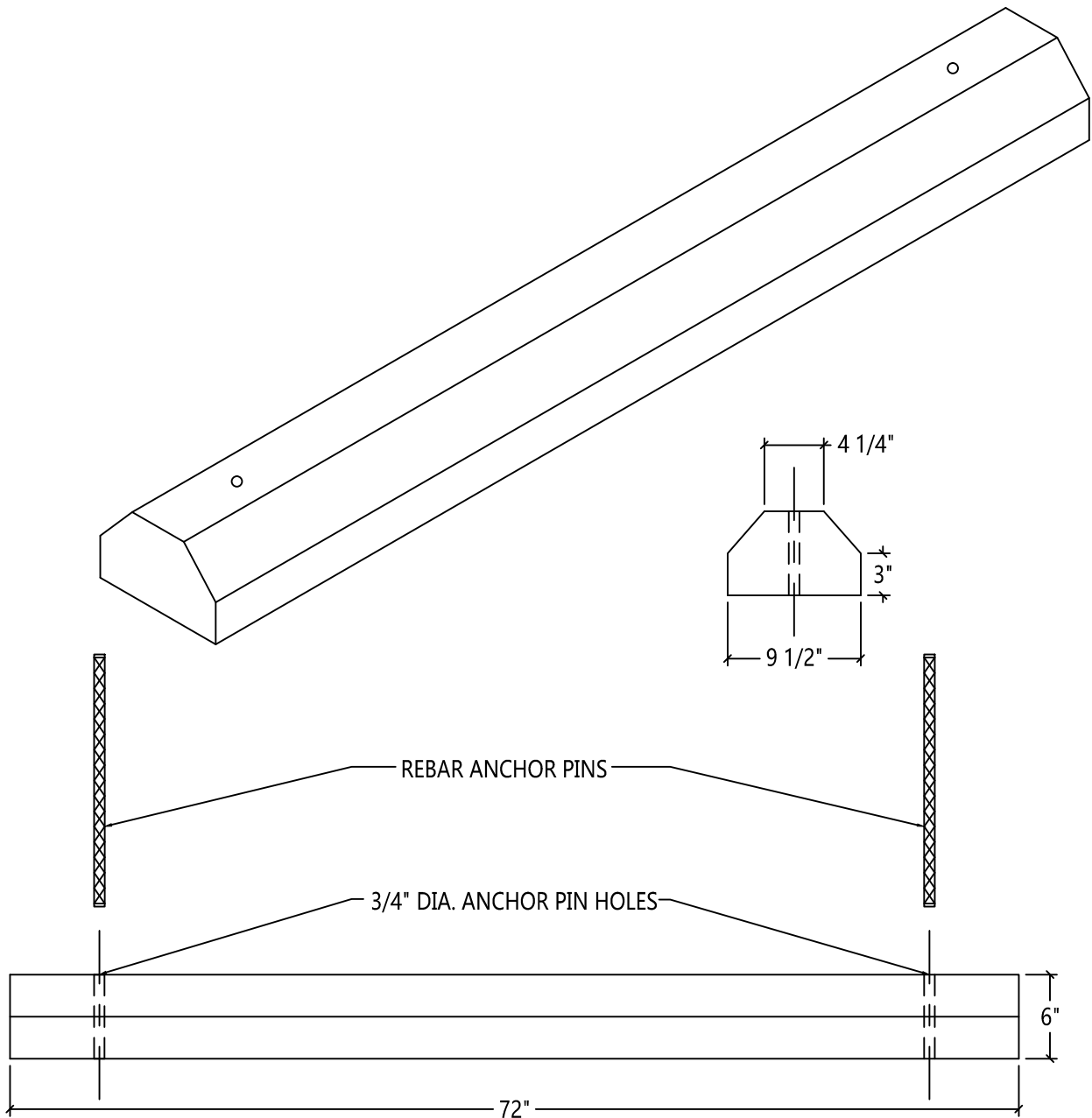


72" CONCRETE BUMPER BLOCK



SPECIFICATIONS:

MINIMUM STRENGTH OF CONCRETE- 4,000 @ 28 DAYS

AIR ENTRAINMENT- $5 \frac{1}{2}\% \pm 1 \frac{1}{2}\%$

REINFORCED WITH 2- #3 REBARS

APPROXIMATE WEIGHT- 250 LBS.



Scranton Craftsmen, Inc



930 Dunmore Street

Throop, PA 18512

www.scrantoncraftsmen.com

sales@scrantoncraftsmen.com

Toll Free: 1800-775-1479

Phone: (570) 347-5125

Fax: (570) 489-4212