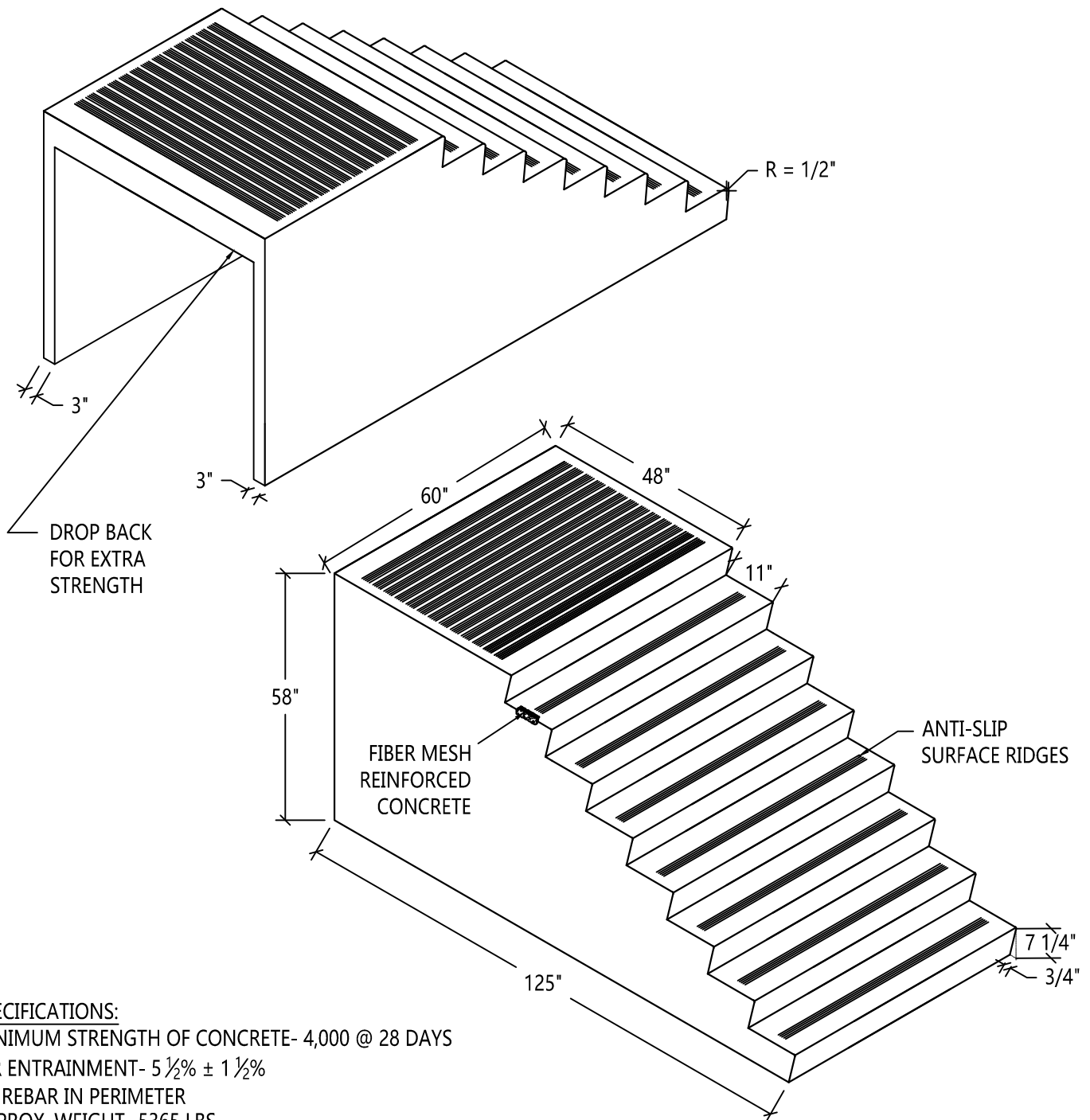


8 RISER PRECAST PLATFORM STEP UNIT



SPECIFICATIONS:

MINIMUM STRENGTH OF CONCRETE- 4,000 @ 28 DAYS

AIR ENTRAINMENT- $5 \frac{1}{2}\% \pm 1 \frac{1}{2}\%$

$\frac{3}{8}$ " REBAR IN PERIMETER

APPROX. WEIGHT- 5365 LBS



Scranton Craftsmen, Inc



930 Dunmore Street

Throop, PA 18512

www.scrantoncraftsmen.com

sales@scrantoncraftsmen.com

Toll Free: 1800-775-1479

Phone: (570) 347-5125

Fax: (570) 489-4212