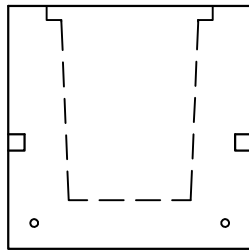
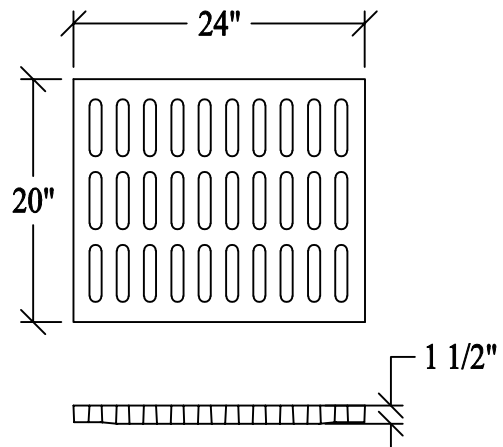
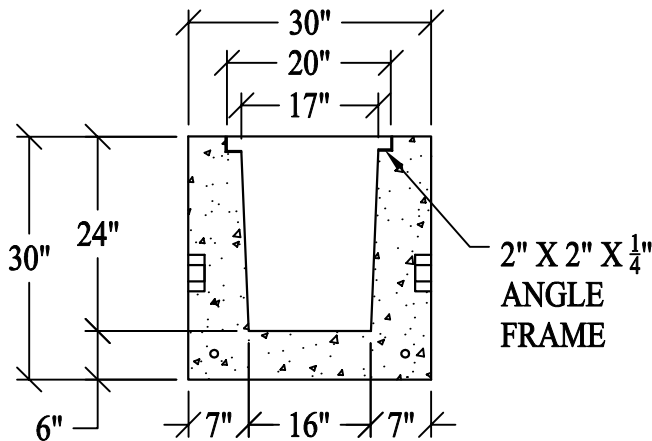
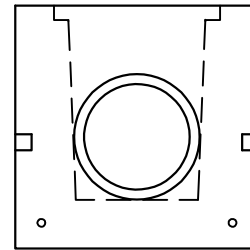


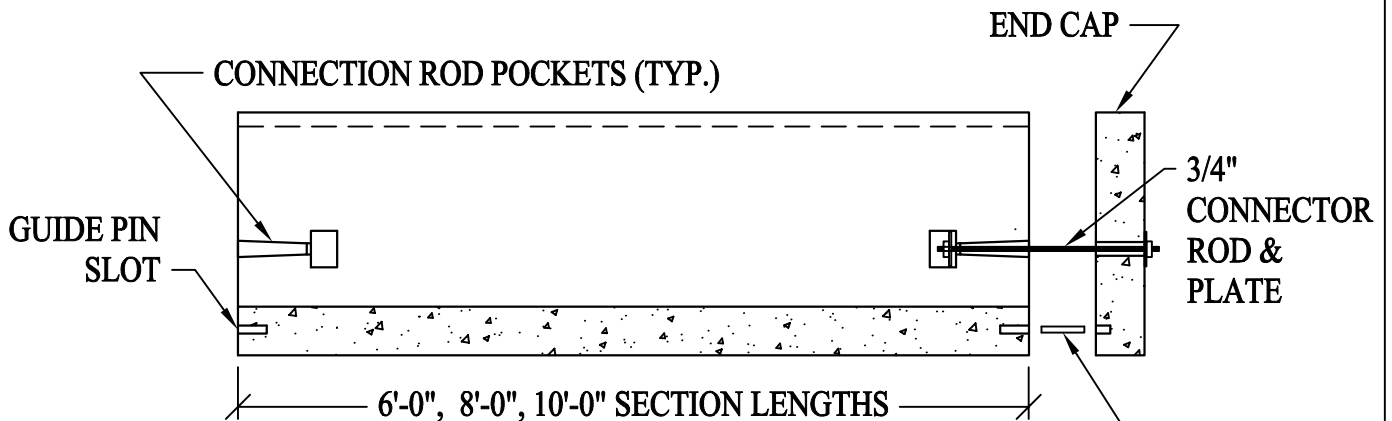
PRECAST TRENCH DRAIN



SOLID END CAP



END CAP WITH KNOCKOUT



SPECIFICATIONS:

FIBERMESH REINFORCED CONCRETE- 5,000 PSI @ 28 DAYS

AIR ENTRAINMENT- 5 1/2% ± 1 1/2%

STEEL REINFORCEMENT- 4X4 - 4 GAUGE WIREMESH + 1/2" REBAR IN FLOOR & WALLS

3/4" DOWEL ROD



Scranton Craftsmen, Inc



930 Dunmore Street

Throop, PA 18512

www.scrantoncraftsmen.com
sales@scrantoncraftsmen.com

Toll Free: 1800-775-1479

Phone: (570) 347-5125

Fax: (570) 489-4212